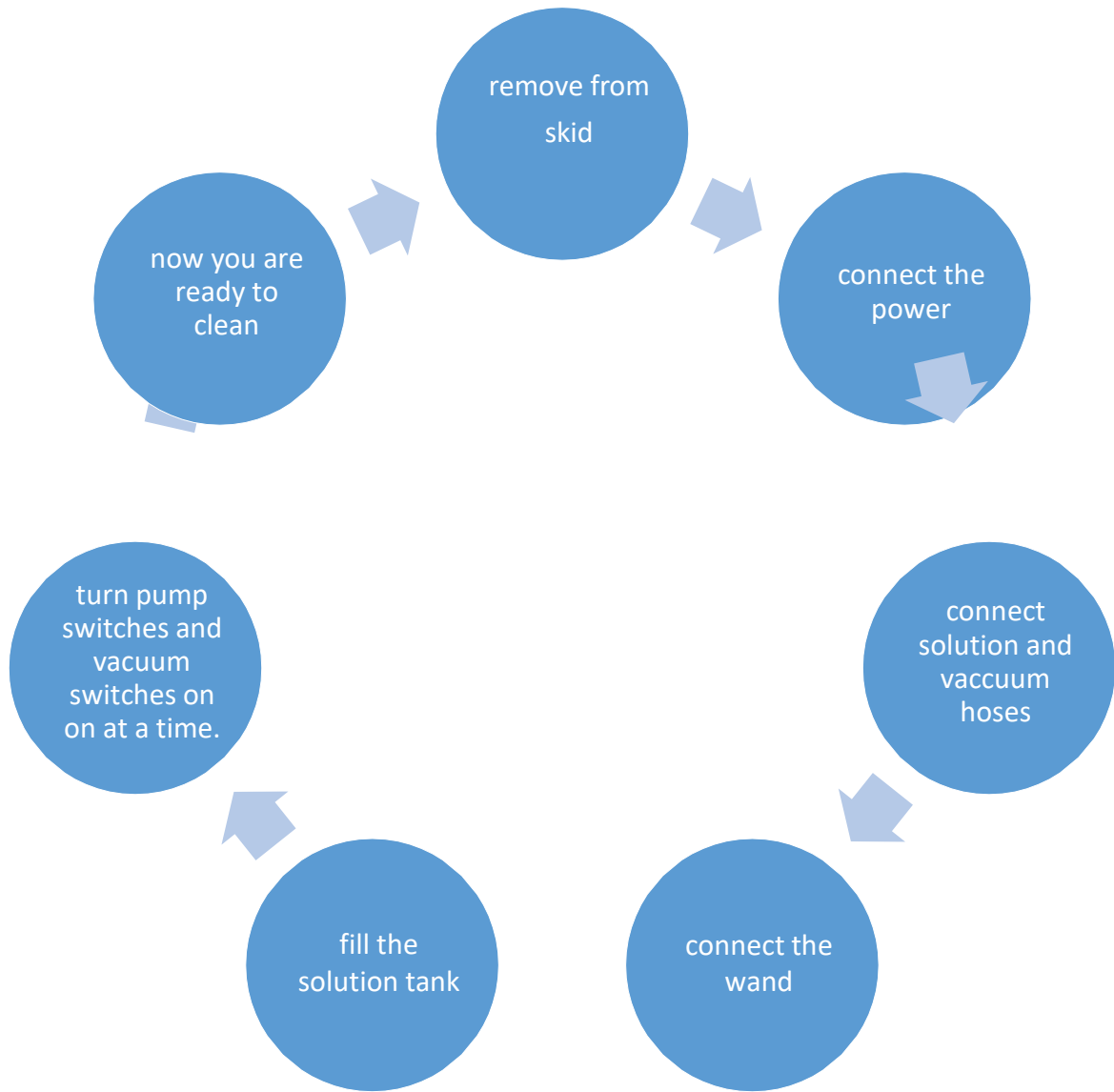


# Polivac Predator MK III Carpet Extractor Machine



## Operations Manual & Trouble Shooting Guide

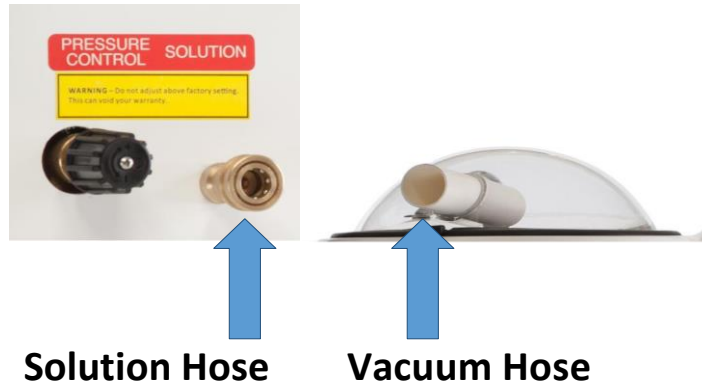


This is an introduction on the use of the Polivac Predator MK III Carpet Extraction unit.

### **Directions for Use (Please refer to picture as well in next page)**

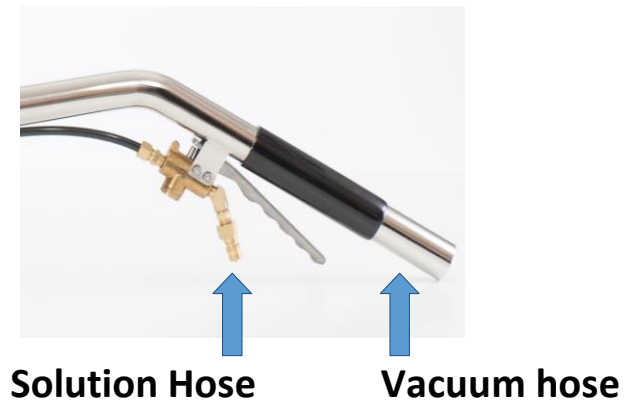
1. Connect 240v extension cable from power source to (#1 & #8) (Figure 3) power socket on unit.
2. Now connect the Male end of solution hose to Female solution outlet on the front of the unit (FIGURE 1).
3. Connect the Female solution end to the Male fitting on the trigger of the steam cleaning wand (FIGURE 2).
4. Ensure dump valve and booster inlet are closed, if these are not in use.
5. Fill machine with either cold or hot water. We always recommend pre-spraying the carpet rather than use of Chemical solutions and powders run through the machine, for a number of reasons, 1<sup>st</sup> this gives better results as the chemical has had time to “work” on the carpets, 2<sup>nd</sup> when you extract with fresh water, you remove more chemical residue which prevents re-soiling and chemical build up. Finally, it extends the life of your pump, the use of high alkaline chemicals can cause premature failure not covered by warranty. NEVER USE FLAMABLE LIQUIDS OR SOLVENTS IN THE STEAMCLEANER
6. The heater switch #2 (Figure 3) can now be selected and as power is connected the switch will light up **RED** and this will commence the heater working.
7. Water is now being heated up.
8. Connect the G Vac hose to the domes nose and the other end to the wand end. (FIGURE 1, 2)
9. Change position of the rocker switch #2 (Figure 3) to “Pump” position. Then press pump “Round” #3 (Figure 3) switch and vacuum “Round” #4&5 (Figure 3) switches accordingly. switch on the dirt water pump “Round” switch at the same time (if it has an auto empty unit installed).
10. Dirt water will steadily suck into the machine with vacuum motors working. Once dirt water reaches the optimum level in the recovery tank, whole machine will stop. This optimum level is controlled by a float switch installed in the recovery tank.
11. Customer should push all round buttons to off position and should empty the dirt water tank before bringing the machine back to operations.
12. No need to follow step # 10 for auto carpet extractor, as these varieties will automatically empties the recovery tank using auto empty pump installed in the machine.
13. MK2 & MK3 Auto has a monel screen installed in the recovery tank in order to stop finer dirt goes in the auto empty pump. It is important to clean this monel screen regularly to turn the auto empty function efficiently.

**FIGURE 1**



- Connect the supplied hoses to the above pictured connection. To connect the solution hose, push the sleeve back on the brass socket insert the male plug then release.
- To connect the vacuum hose just insert the black hose cuff into plastic pipe.

**FIGURE 2**



- Connect the female solution hose fitting to the male wand connector and slide the cuff over the end of the wand.
- You may need to replace trigger kit.



## Predator MKIII Side Control Panel

1. 240-Volt 10 AMP power inlet socket.
2. Pump or heater selector switch.
3. Water pump power switch.
4. Vac motor power switch.
5. Vac motor power switch.
6. Machines operating hour timer.
7. Thermal pump overload reset switch.
8. 240-Volt 10 AMP power inlet socket.

**Figure #3**



## Predator MKIII Pressure Control

**Figure 4**

1. Pressure increase/decrease regulator knob.
2. Solution Outlet (for connection to high pressure hose).
3. Pressure Gauge.
4. Dump Valve.



## Predator MKIII Dump Valve



- To release captured wastewater lift handle as shown in diagram.
- Water will drain & then depress the handle down to reseal.

## Predator MKIII Booster inlet

- **Figure 5** shows booster inlet in the closed position
- **Figure 6** shows inlet opened to connect the vac hose and booster box.
- Inlet opens by hand only and will close itself after use.

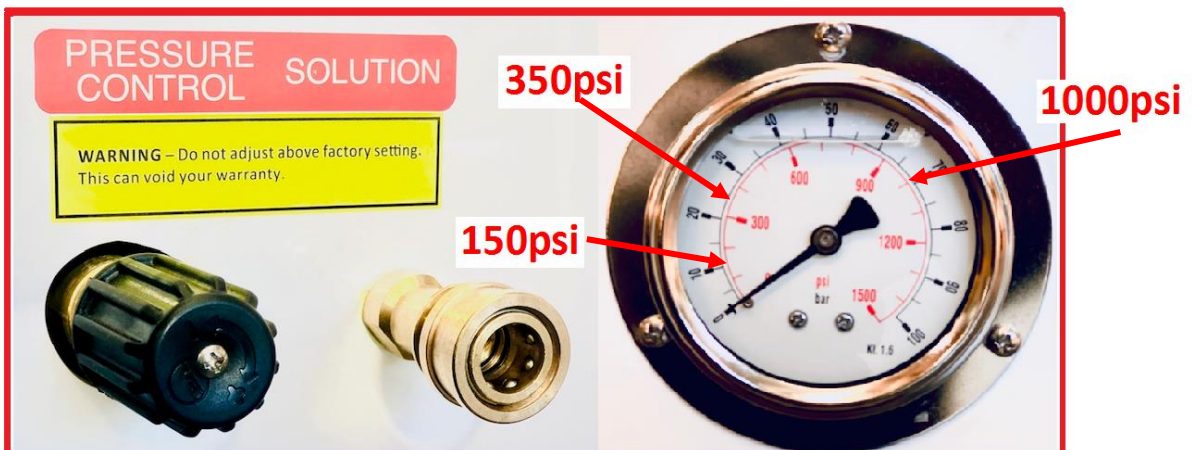


**FIGURE #5**



**FIGURE #6**

- A standard wand only requires 350 to 400 psi, any more may result in unnecessary damage to the wand and trigger system.
- It is recommended that the upholstery tool or stair tool pressure is 150 psi.
- To measure the pressure, engage the trigger on your device then adjust accordingly using the pressure control knob.



# General Maintenance & Troubleshooting Guide

## Maintenance

**The key to keeping the unit in good working order is general maintenance.**

Follow the below procedure for best result with unit.

- Must Empty dirt water and clean water from tanks after **each use**.

### 1. Water filter

- Clean Monel screen and filter basket

### 2. Lint deflector

- Clean the filter screen if any dirt stuck there as it will affect suction power

### 3. Oil level

- Check oil level of the predator pump. If less, then please fill to half level. Oil of the pump need to be changed every 500 hours for the predator

### 4. Floor tool

- Remove built up Lint from the opening of the wand.
- Please change jets of the wands when required (when tips of the jets worn out pressure would drop, and user will notice unusual spray of solution).

### 5. Vac motors

- No maintenance can be done but use Antifoam to prevent chemical and water entering motors and causing faults.

## Troubleshooting Fault Remedy

### 1. No Power to unit

- Check power cable and power from source
- Check water in the front tank. If full, then machine stops completely

### 2. Heater not working

- Check pump/heater switch is switched to heater and not pump
- Check water in the front tank. If full, then machine stops completely

### 3. Pump not working

- Check pump/heater switch is switched to pump and not heater check thermal reset button and depress to engage.
- Check water in the back tank. If water is less than the float switch level, then pump does not work

### 4. No water coming from floor tool

- pump is running
- Check water level is enough
- Check floor tool jets for blockage
- Check water tanks filter for blockage
- Check hose connection of the solution hose

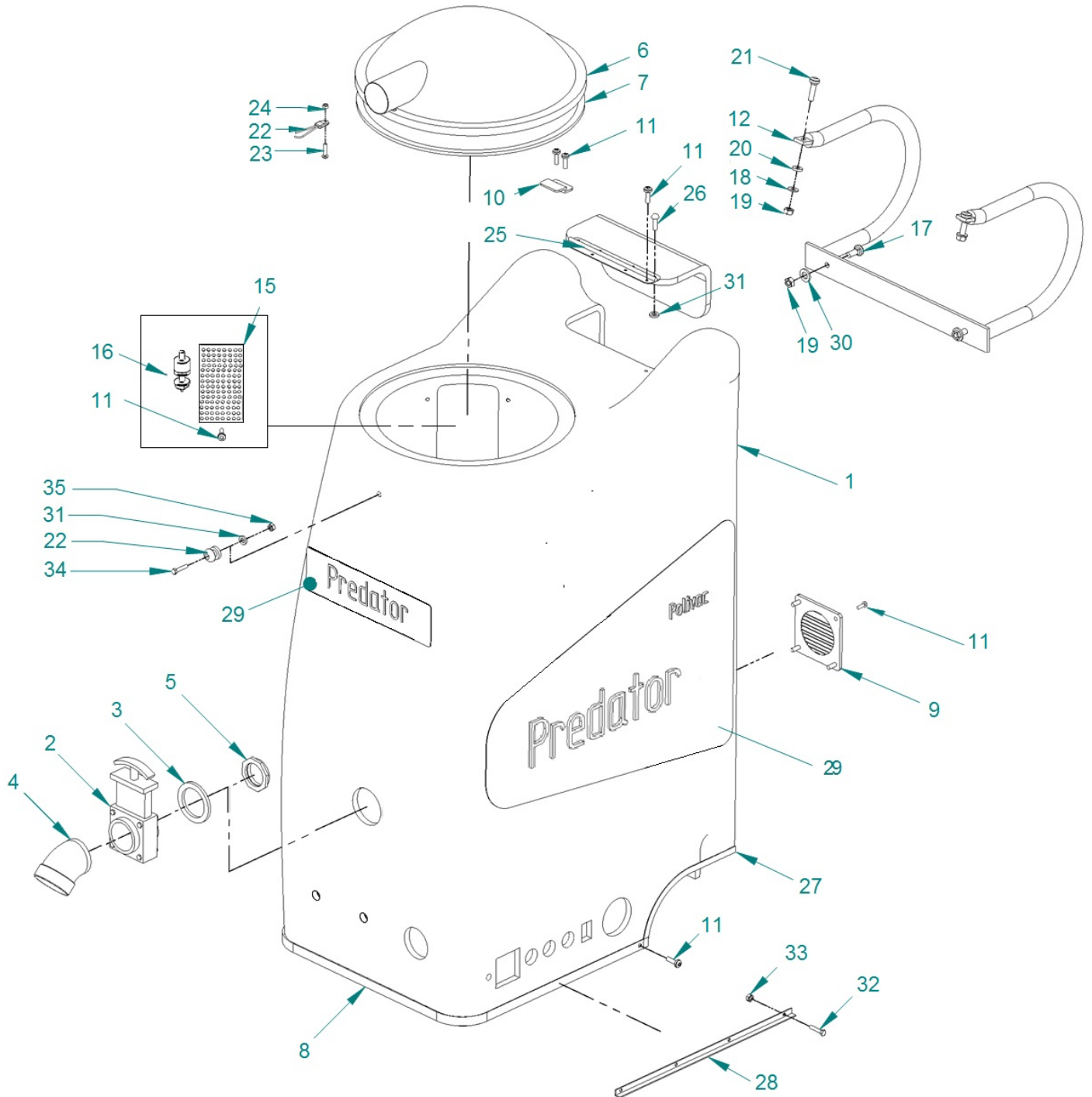
### 5. Vac motors not working

- Check both switches are on Glowing Red
- Check water in the front tank. If full, then machine stops completely

### 6. Vac motors is working but less suction

- Check dome lid is on correctly and sealing Ensure waste dump valve is complete shut
- Ensure booster box is complete shut (figure # 5)

# PREDATOR MKIII CABINET ASSEMBLY





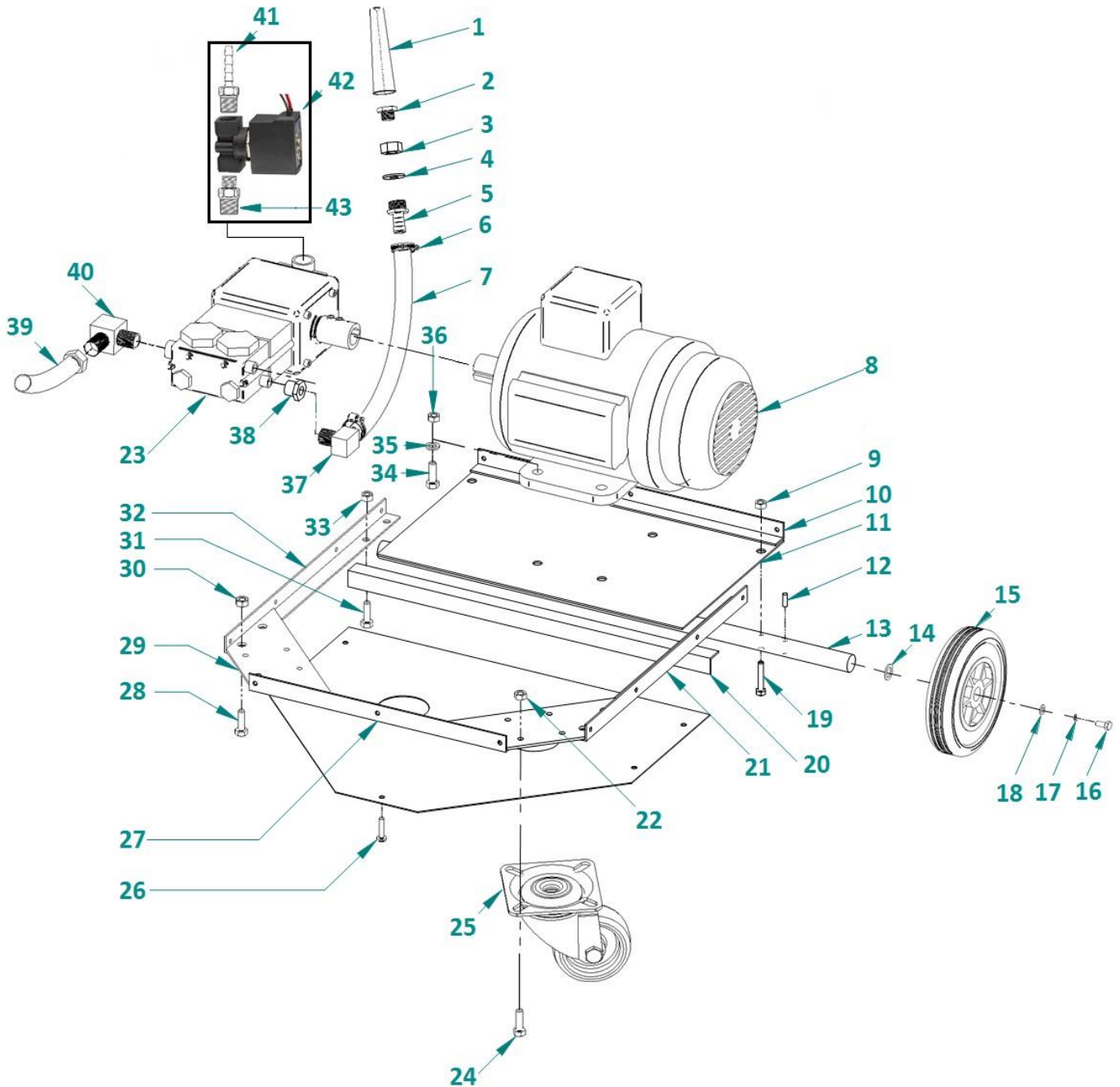
# PREDATOR MKIII

## CABINET ASSEMBLY

No	Code	Description	No	Code	Description
1	PPR001	Cabinet	25	PVT018	Piano Hinge
2	PPR028	Dump Valve	26	AAK838	Rivet
3	PPR030	Gasket	27	PPR003	Pinch Weld
4	PPR029	Dump Valve Spout	28	PPR005A	Switch Guard Alloy
5	PPR031	Nut	29	PPR246	MKIII Label Set
6	PPR027	Dome	30	PPR128	Washer
7	PPR047	Rubber Seal	31	PVT025	Washer
8	PPR002	Continental Trim	32	PPR090	Bolt
9	PPR049	Vent Grill White	33	AAA354	M6 Nyloc
10	PPR114	Dome Latch	34	PPR212	Screw
11	PPR252	Screw	35	PPR095	M4 NYLOC
12	PPR014	Handle Assembly			
15	PPR013	Filter Screen			
16	PPR144	Float Switch			
17	PPR177	Screw			
18	PPR104	Washer			
19	PPR096	Nut			
20	VLB608	Rubber Washer			
21	PPR103	M8 x 30 mm			
22	PPR135	Loop			
23	AAA500	Screw			
24	PVS037	Nut			

# PREDATOR MKIII

## MOTOR – PUMP – FRAME ASSEMBLY



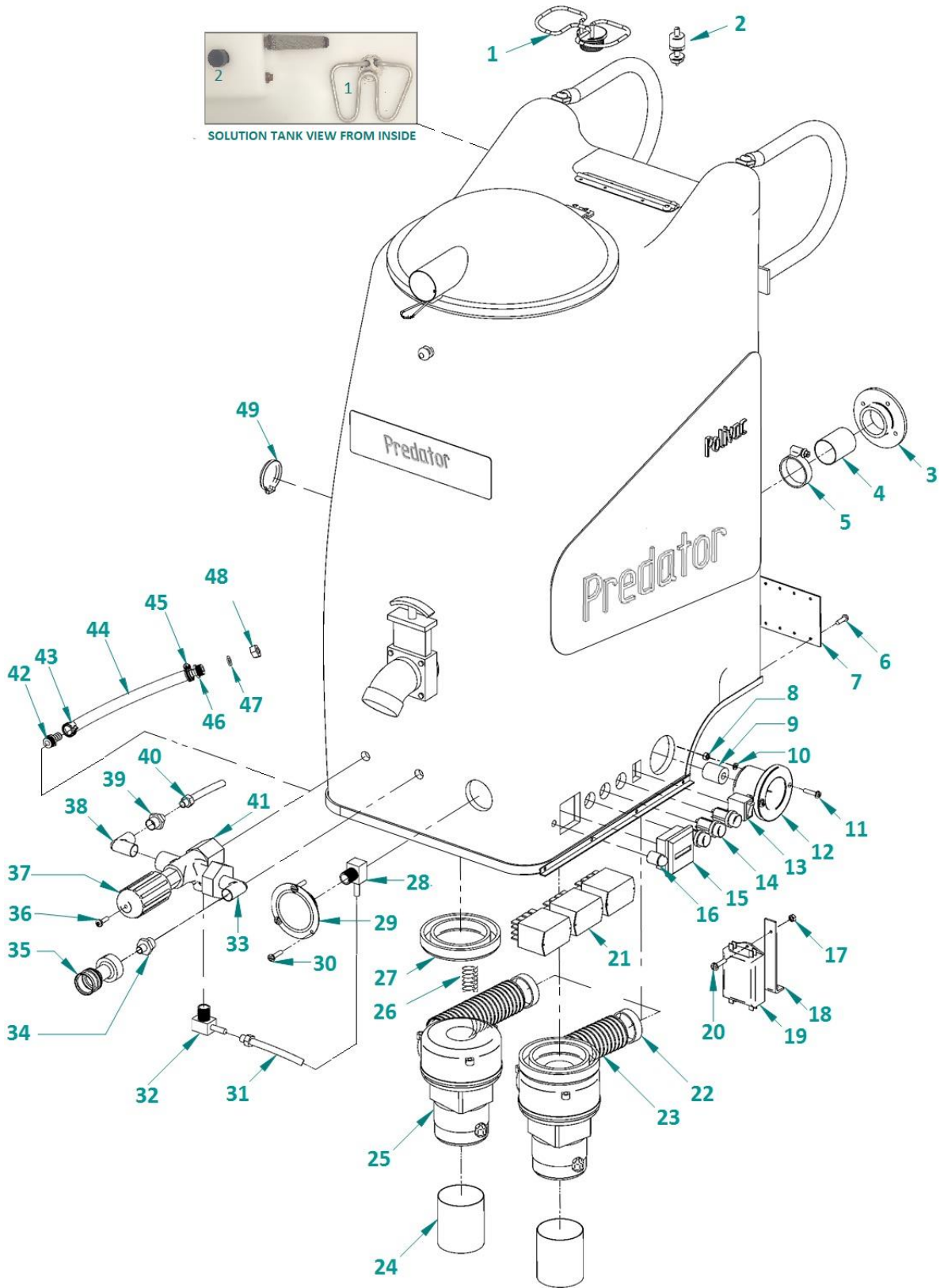
# PREDATOR MKIII

## CABINET ASSEMBLY

No	Code	Description	No	Code	Description
1	PPR032	Monel Screen	23	PPR018	Pump
2	PPR059	Reducer	24	PPR090	Bolt
3	PPR054	Nut	25	PPR016	Castor Wheel W/Break
4	AAG470	Washer 1/2"x1" Zinc	26	PVT029	Screw
5	PPR051	Brass Barb	27	PPR006	Front Frame
6	PPR042	Clamp	28	PPR090	Bolt
7	PPR039	Hose	29	PPR009	Wheel Plate
8	PPR182	Drive Motor	30	AAA354	Nut
9	AAA354	Nut	31	PPR090	Bolt
10	PPR007	Rear Frame	32	PPR005	Side Frame
11	PPR008	Motor Plate	33	AAA354	Nut
12	PPR102	Split Pin	34	SK006	Bolt
13	PPR011A	Long Axle-585mm	35	AAG365	Washer
14	AAG480	Washer	36	SLB043	Nut
15	PPR015	Tyre 250x4	37	PPR053	Brass Elbow
16	GAS049	5/16"x3/4" Set Screw	38	PPR058	Reducing Plug
17	GAS045	Spring Washer	39	PPR038	Hose Tail Female
18	PPR128	Washer	40	PPR256	Brass Elbow
19	PPR093	Bolt	41	PPR051	Brass Barb 3/8 X 1/4
20	PPR010	Cross Bar	42	PPR257	Solenoid
21	PPR005	Side Frame	43	PPR065	Reducer 3/8 X 1/4
22	AAA354	Nut			

# PREDATOR MKIII

## UNDERCARRIAGE ASSEMBLY



# PREDATOR MKIII

## UNDERCARRIAGE ASSEMBLY PARTS LIST

No	Code	Description	No	Code	Description
1	PPR025	Heater Element	26	PPR184	VacMotor Mount Spring
2	PPR144	Float Switch	27	COM086	Rubber Seal
3	PPR044	Muffler End Cap	28	PPR236	Brass Elbow
4	PM037	50mm Vac Pipe	29	PPR020	Pressure Gauge
5	PPR043	Hose Clamp 40-55	30	PVT029	S/S Self Tap Screw
6	AAK838	Pop Rivet	31	PPR235	Gauge to Unloader Hose
7	PPR004	Kick Plate	32	PPR237	Brass Elbow
8	PPR095	NYLOC Nut	33	PPR061	Brass Elbow
9	PPR138	Round Ferrite	34	SK0065	Brass Reducer
10	PVT025	Stainless Washer	35	PPR080	Brass Connector
11	PPR098	Pan Phillips	36	PPR252	Screw
12	PPR048	Inlet Socket	37	PPR248	Knob Unloader
13	PPR130	Rocker Switch	38	PPR060	Brass Elbow
14	PPR022	Round Switch	39	PPR058	Brass Reducer
15	PPR023	Hour Meter	40	PPR037	Hose End
16	VPV807CMG	Thermal Overload <sub>M14</sub>	41	PPR021	Unloader
17	PPR095	NYLOC Nut	42	PPR052	Brass Barb
18	PVS424A	Base Brace	43	PPR042	Hose Clamp 13-20
19	PPR134	RFI Filter	44	PPR039	Red Hose 3/8"
20	BV018	Screw	45	PPR042	Hose Clamp 13-20
21	PPR129	3 X Relay 240V	46	PPR051	Brass Barb
22	PPR043	Hose Clamp 40-55	47	AAG470	Washer
23	PPR040	Silver Flexi Hose	48	PPR054	Nut
24	PPR046	75mm Muffler Pipe	49	PPR133	Inlet Booster Box
25	PM005	3 Stage Vac Motor			

# WARRANTY POLICY

1. When a warranty repair is requested, the purchaser must first contact any of Polivac's authorized Service Centres with proof of purchase and details of the alleged defect. In most instances, the request for warranty brought to the attention of our Service Centres or Agents is handled in a prompt routine manner with no question as to its validity. However, some requests for warranty are not justified. In these cases, product owners will be made aware that the premature failure of their product was the result of a cause not covered by Warranty.
2. The Polivac warranty covers only DEFECTIVE MATERIAL and/or DEFECTIVE WORKMANSHIP. It does not cover labour.
3. Polivac products are warranted for twelve (12) months from date of purchase by the original purchaser against faulty workmanship or material. The warranty covers only the replacement, repair or adjustment of any part which in the opinion of Polivac fails because of a fault in materials or workmanship:
  - a) drive motors carry one (1) year warranty
  - b) bodies of carpet extraction products and vacuum cleaners carry a three (3) years conditional warranty.
  - c) battery warranty of twelve (12) months is as provided by the manufacturer. Terms available on request.
4. Where the product has been rented out by a Hire or similar company, the warranty period is reduced to three (3) months.
5. This warranty does not cover service calls, travelling time or consumable parts - e.g. drive belts, chains, flexible skirts or hoses, dust bags, mains lead, brushes, buffers, buffer strips, sanding discs, light bulbs, nozzles, filters, pressure pumps, piston seals, diaphragms, squeegees and like items.
6. In the case of proprietary components used by the manufacturer in the product, such as engines, electrical motors, chargers and the like, Polivac will pass on any warranty provided by the manufacture of such items.
7. Accidental damage, abuse, misuse or neglect of the product is not covered by warranty.
8. Fair wear and tear and where the product have been used other than for the purpose for which it was designed is not covered by warranty.
9. Use of non-approved chemicals and detergents in the product will void the warranty.
10. Products that have been modified are not covered by warranty.
11. Products that have not been serviced at their recommended intervals by an authorised Polivac Service Centre or Agent are not covered by warranty
12. Damage to, or failure of, the product which has resulted from low or high voltage, the use of an incorrectly sized extension lead, or a coiled electrical extension lead is not covered by warranty.
13. Repairs carried out on the product by any person other than an authorized Polivac repairer will void the warranty.
14. All freight charges to and from the manufacturer, agent or service centre will be the responsibility of the distributor.
15. A charge for traveling time and labour will be applicable for on-site warranty service.
16. Polivac reserves the right to replace defective parts of the product with parts or components of similar quality, grade and composition where an identical part or component is not available. Goods presented for repair may be replaced by refurbished goods of the same type rather than being repaired.

**POLIVAC WARRANTY IS SUBJECT TO THE LAWS AND REGULATIONS OF THE INDIVIDUAL STATES AND COMMONWEALTH TERRITORIES OF AUSTRALIA. THIS WARRANTY IS NOT TRANSFERRABLE.**

